

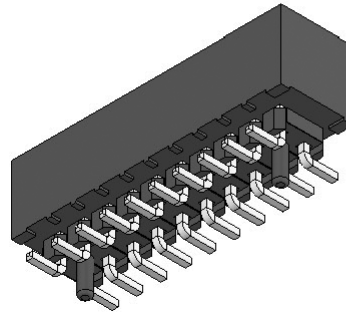
Box Header 2.0 mm

180° & SMT Series

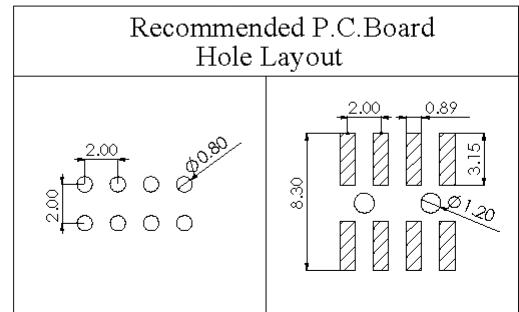
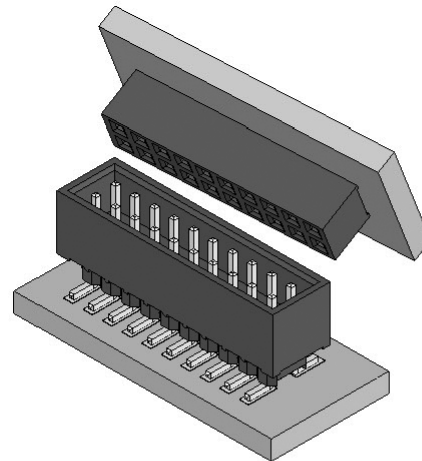
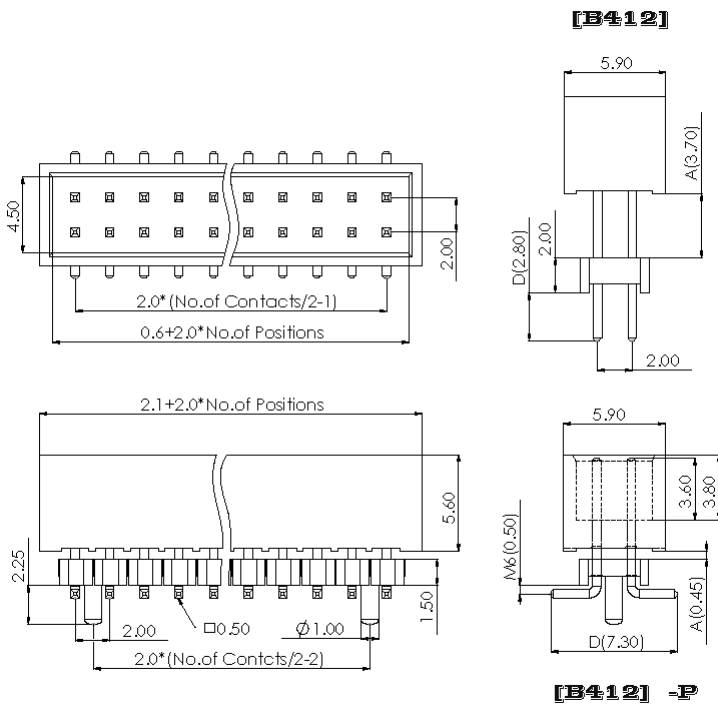
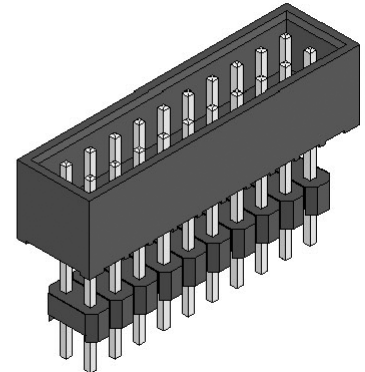
SPECIFICATIONS

Current Rating: 2 A
 Insulator Resistance: 3000 MOhm min.
 Dielectric Withstanding: AC 500 V
 Operating Temperature: -40°C ~ +105°C
 Soldering Temperature: 260°C for 3~5sec. max
 Contact Material: Copper Alloy
 Insulator Material: Polyester, UL 94V-0
 Standard: P.B.T.
 Finish: Tin, Gold or Duplex Plated
 Standard: Gold Flash all over
 Note: Duplex Plating: Gold Plated on contact area, Tin on solder area

B412-M6GN-D073/005-XX-P



B412-SGP-D028/037-XX



How to order

Unit: mm

Series	Connector Type	Contact Plating	Material	Pin Length mm	Number of Contacts	Other
BXXX	X	X	X	DXXX/XA	XX	P
B412:B/H 2.00 H:5.60 Dual Row	S: Straight Type M: SMT Type M4:0.25 M5:0.32 M6:0.50 :	G: Gold Flash T: Tin Plated A: 10U"Gold B: 15U"Gold C: 20U"Gold ⊙ Duplex Plating D: Gold Flash/Tin (Standard: G)	P: PBT N: Nylon-6T	S-D D028 (037) M-D D073 (005)	(10 TO 68 Contacts)	P: PEG